

DS Series

DS-1600 DS-1800

Mimaki

Direct Dye-Sublimation System

"Print quality is up, costs come down,
DS series came to get the answer: Direct Print onto media"

"Introducing a high resolution system which is more ecologically friendly and provides more efficient operation as compared to traditional sublimation transfer systems."



High, sharp print quality

Direct printing provides fine lines and sharp edges compared to using transfer system.

Environmental-friendly

No need to use transfer paper.

Reduced cost

This system requires no transfer paper or liner paper. Its running costs are much lower than the cost of traditional transfer systems.

Improved efficiency of the operation

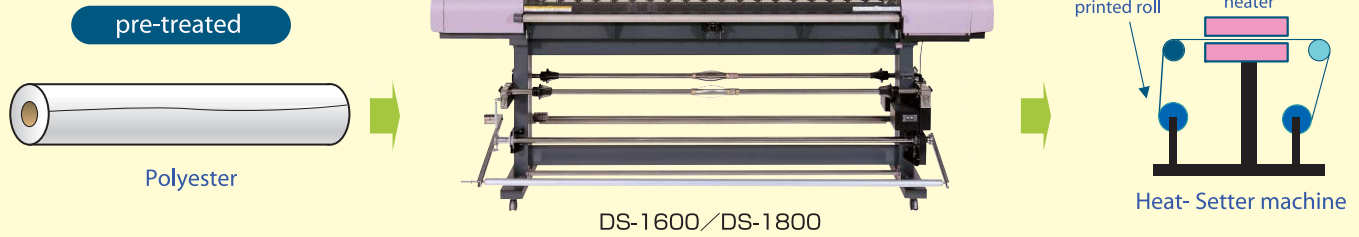
The system avoids cockling of printed transfer paper and mistakes made by wrinkling transfer paper when transferring the ink onto fabric.



Direct dye-sublimation printing system

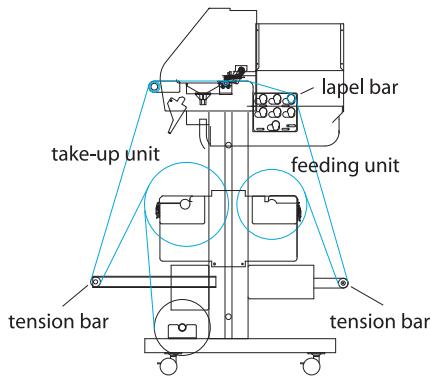
Print

post-treatment



Equipped with media take-up device and media feeder with a dancer roller

The tension bar moves up and down to adjust proper feeding. Suitable for continuous operation.



Fabric supply mechanism

In addition to the drive roller and friction roller, the take-up unit and feeding unit with a dancer roller cause tension in the fabric to prevent it from wrinkling. The fabric retainer holds both edges of the fabric preventing it from touching the print head.



Ditch for penetrated ink

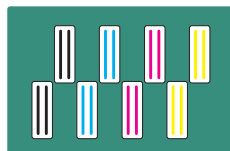
In order to prevent ink from penetrated the fabric from marking other fabrics, a ditch is available.



High-speed print heads

The head configuration employs array of two staggered print heads.

1-way (single ink set) for fast printing and 2-way (dual ink set) for multipurpose printing are available. In addition both print modes can use either high speed print of 4-color or high quality print of 6-color.



Specifications

Item	DS-1600	DS-1800	
Printing head	Method	Piezo-electric drop on demand	
	Nozzle configuration	Eight heads (4 x 2 lines, stagger arrangement)	
	Number of nozzles	<6-color print> 1-way: 360 nozzles 2-way: 180 nozzles <4-color print> 1-way: 720 nozzles 2-way: 360 nozzles	
Resolution	360, 540, 720 dpi		
Maximum printing width	1620mm (63.7")	1850mm (72.8")	
Head height adjustment	1.2mm (0.04") to 10mm (0.39")		
Print Modes 1*)	6-color printing	360 x 360 dpi : 2/4/8 passes, unidirection/bidirection	
		360 x 540 dpi : 3/6/12 passes, unidirection/bidirection	
		360 x 720 dpi : 4/8/16 passes, unidirection/bidirection	
	4-color printing	360 x 360 dpi : 1/2/4 passes, unidirection/bidirection	
		360 x 540 dpi : 3/6/12 passes, unidirection/bidirection	
		360 x 720 dpi : 2/4/8 passes, unidirection/bidirection	
Ink type	Sublimation dye ink	Color (black, cyan, magenta, yellow, light cyan, light magenta)	
	Textile pigment ink	Color (black, cyan, magenta, yellow)	
Ink volume	6 color print	1-way: 220cc x 2/color, 2-way: 220cc x 1/color 2*)	
	4 color print	1-way: 220cc x 4/color, 2-way: 220cc x 2/color	
Fabric	Type	Polyester / Cotton 3*)	
	Width	200mm (7.8") - 1650mm (64.9") 200mm (7.8") - 1900mm (74.8")	
	Thickness	less than 7mm (0.27")	
	Outside diameter	less than ø 250 mm (9.84")	
	Roll weight	less than 30kg (66lbs)	
	Roll inside diameter	1.5" - 3"	
	Printing surface	Printing can be made on either side	
	Roll end treatment	Light adhesive tape is used to allow the paper to be removed	
	Margin (roll fabric)	10mm (0.39") ± 0.5mm (0.01"), left side and right side	
	Interface	IEEE 1394, IEEE 1284	
Command	MRL-1E (ESC/PV.1 base) Mimaki original command		
Operational environment	Temperature	15 C (55 F) - 30 C (86 F)	
	Humidity	35 - 65 % Rh (no condensation)	
Power	AC 100 - 240 V ± 10% (auto voltage), 50/60 Hz ± 1 Hz		
Power consumption	less than 500W		
Weight		230kg (507lbs) 250kg (551lbs)	
	Width	2750mm (108.3") 3040mm (119.7")	
Outside dimensions	Depth	940mm (37.0")	
	Height	1350mm (53.2")	

1*) Some combinations of pass drawing direction, scan speed and resolution may not be supported.

2*) capacity of textile pigment ink cartridge is 210cc.

3*) Any fabric that expands/shrinks with moisture or stretches cannot be used.

Specifications are subject to change without notice due to technical improvements, etc.
DS18V1.0106

MIMAKI ENGINEERING CO., LTD.

TKB Gotenyama Bldg. 5-9-41 Kitashinagawa Shinagawa,
Tokyo 141-0001, Japan Tel: +81-3-5420-8671
trading@mimaki.co.jp www.mimaki.co.jp

MIMAKI USA, INC.

140 Satellite Boulevard NE, Suwanee, Georgia 30024-7128
Atlanta +1-888-530-3988 Boston +1-888-530-3986
Los Angeles +1-888-530-3987 Chicago +1-888-530-3985
www.mimakiusa.com

MIMAKI EUROPE B.V.

Joan Muyskenweg 42-44, 1099CK
Amsterdam, The Netherlands
Tel: +31-20-4627-640
www.mimaki-europe.com



All our products are manufactured under our quality assurance system certified by ISO9001

printed in Japan DB3-0242-03